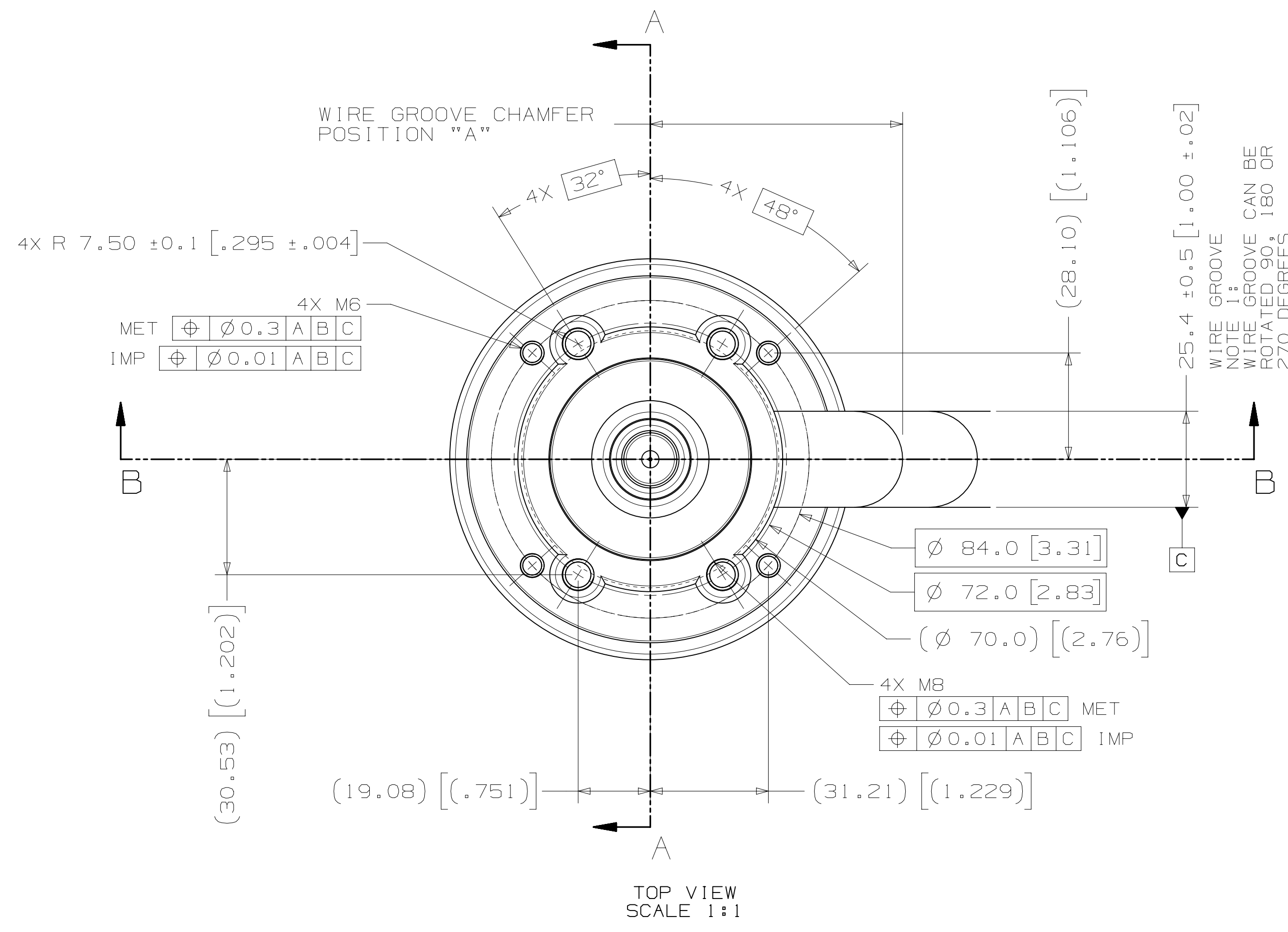
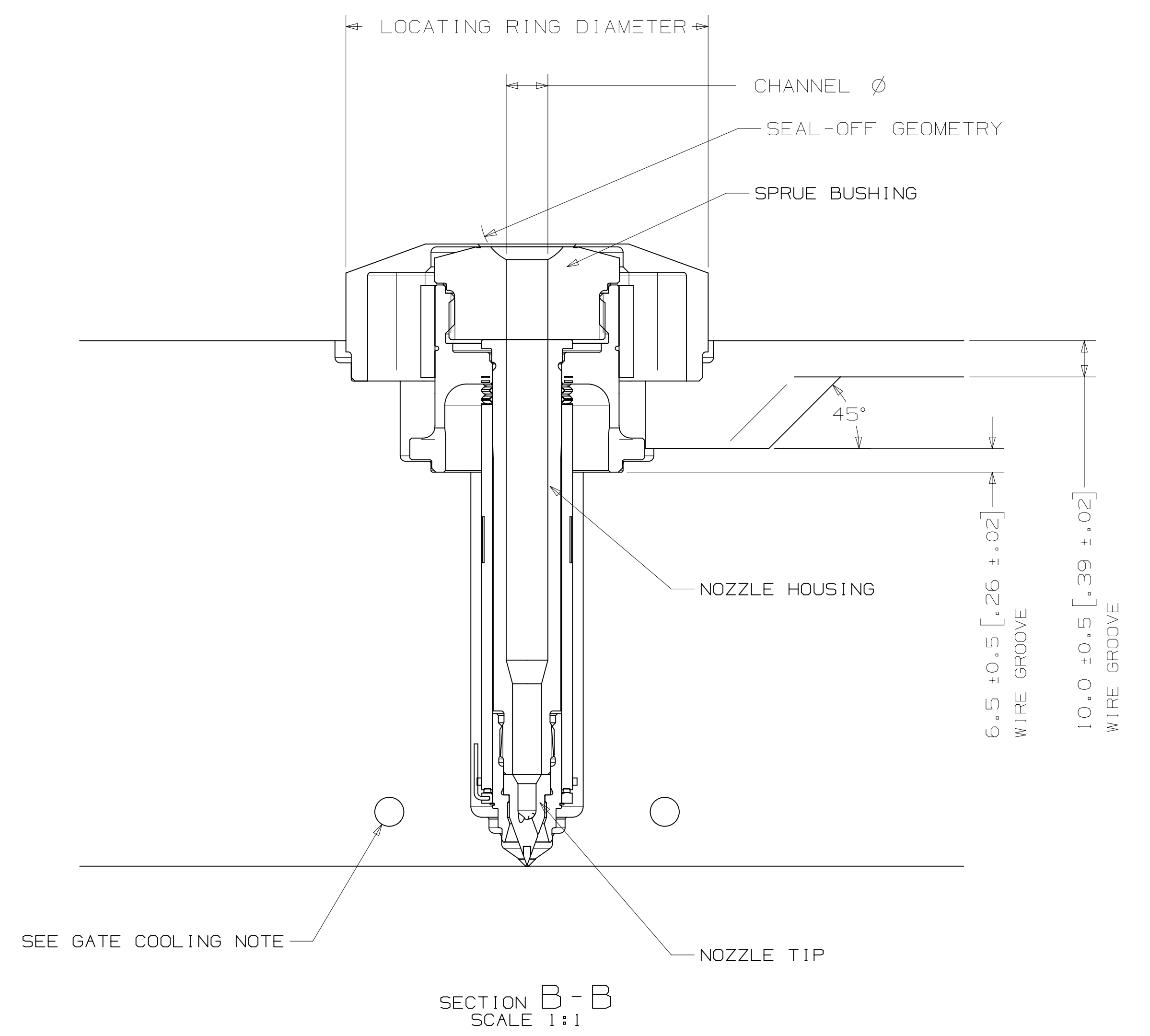
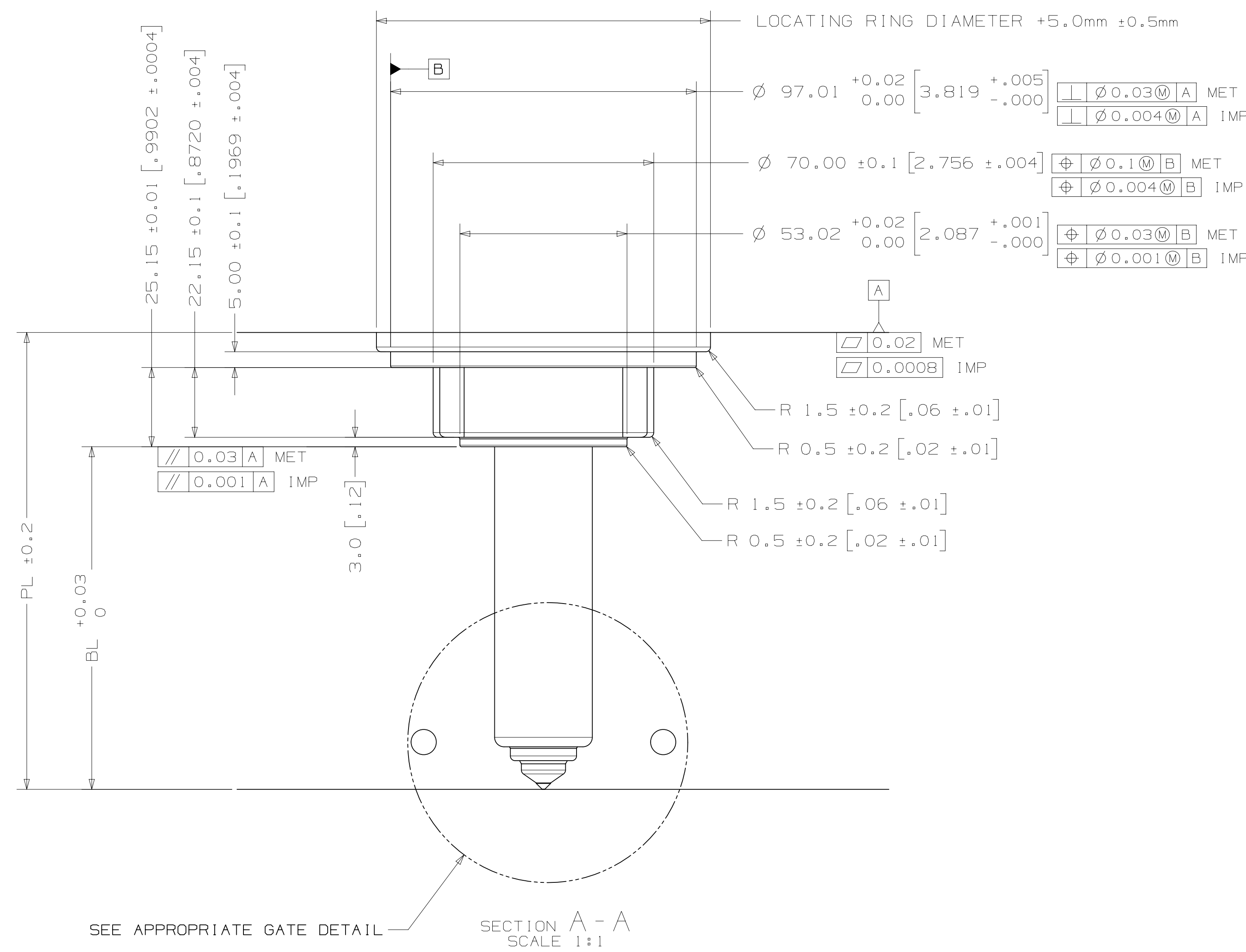


INSTALLATION DRAWING

REV 0
7930972



WIRE GROOVE CHAMFER POSITION "A"
NOTE 1: GROOVE CAN BE POSITIONED ON 180 OR 270 DEGREES



NOZZLE SERIES	NOZZLE TIP	PL RANGE	Approx. BL*
U750	HT-D	68.68(2.704) - 235.85(9.285)	39(1.54) - 189(7.44)

* Approx. BL VALUES IN THE TABLE ARE REFERENCES WHICH CAN DEVIATE BY +/-1mm. FINAL BL VALUE CAN BE FOUND ON GATE DETAIL DRAWING AND 3D AFTER FINISHED DESIGN. BL AVAILABLE IN THE INCREMENT OF 10mm WITHIN RANGE.

U750	SPRUE BUSHING	
	SEAL-OFF GEOMETRY SPHERICAL RADIUS	CHANNEL Ø IN - OUT
	FLAT	4 - 11.5
	FLAT	
	SEAL-OFF 12.7 (1/2")	
	SEAL-OFF 15.5	11.5-THRU
	SEAL-OFF 19.05 (3/4")	
	SEAL-OFF 20	
	SEAL-OFF 40	

U750	LOCATING RING DIAMETER	WIRE GROOVE CHAMFER POSITION "A" (±2.0)
	100mm	66.7
101.3mm (3.99")	66.7	
125mm	78.7	

RECOMMENDED GATE COOLING GUIDELINES
ADEQUATE COOLING IS ESSENTIAL FOR THE PROPER FUNCTION OF THIS SYSTEM. REFER TO THE HOT RUNNER PRODUCT GUIDE FOR MORE DETAILED GUIDELINES.

RECOMMENDED GATE MATERIAL
NOTE: THESE MATERIALS MAY NOT OFFER THE DESIRED RESISTANCE TO ABRASIVE AND/OR CORROSIVE RESINS, FILLERS AND/OR ADDITIVES
A151 H13 (49-51 Rc)
A151 420 (49-51 Rc)

RECOMMENDED GATE MANUFACTURING GUIDELINES
- HARDENED GATE INSERTS (49-51) ARE RECOMMENDED WHEN USING SOFTER CAVITY STEELS. SOFTER CAVITIES MAY BE ACCEPTABLE FOR CERTAIN APPLICATIONS. CONTACT YOUR HUSKY REPRESENTATIVE WITH QUESTIONS.
- EDM'ING THE GATE AREA CAUSES MICRO CRACKS WHICH LEAD TO BRITTLE GATE FAILURES. ALSO - DO NOT EDM THE MOLDING SURFACE WITHIN 2mm OF THE GATE HOLE.
- MACHINE THE GATE HOLE AFTER HARDENING TO AVOID EXCESSIVE QUENCH IN THE THIN SECTION DURING HEAT TREAT & RESULTING OVERHARDENING IN THE GATE AREA.
- RECESSED GATES ON THE PRODUCT REDUCE THE GATE AREA STRENGTH LEADING TO GATE FAILURES.
- WELDING THE GATE AREA INCREASES STRESSES AT THE GATE, SOFTENS THE AREA AROUND THE WELD AND CAN CAUSE GATE FAILURES.

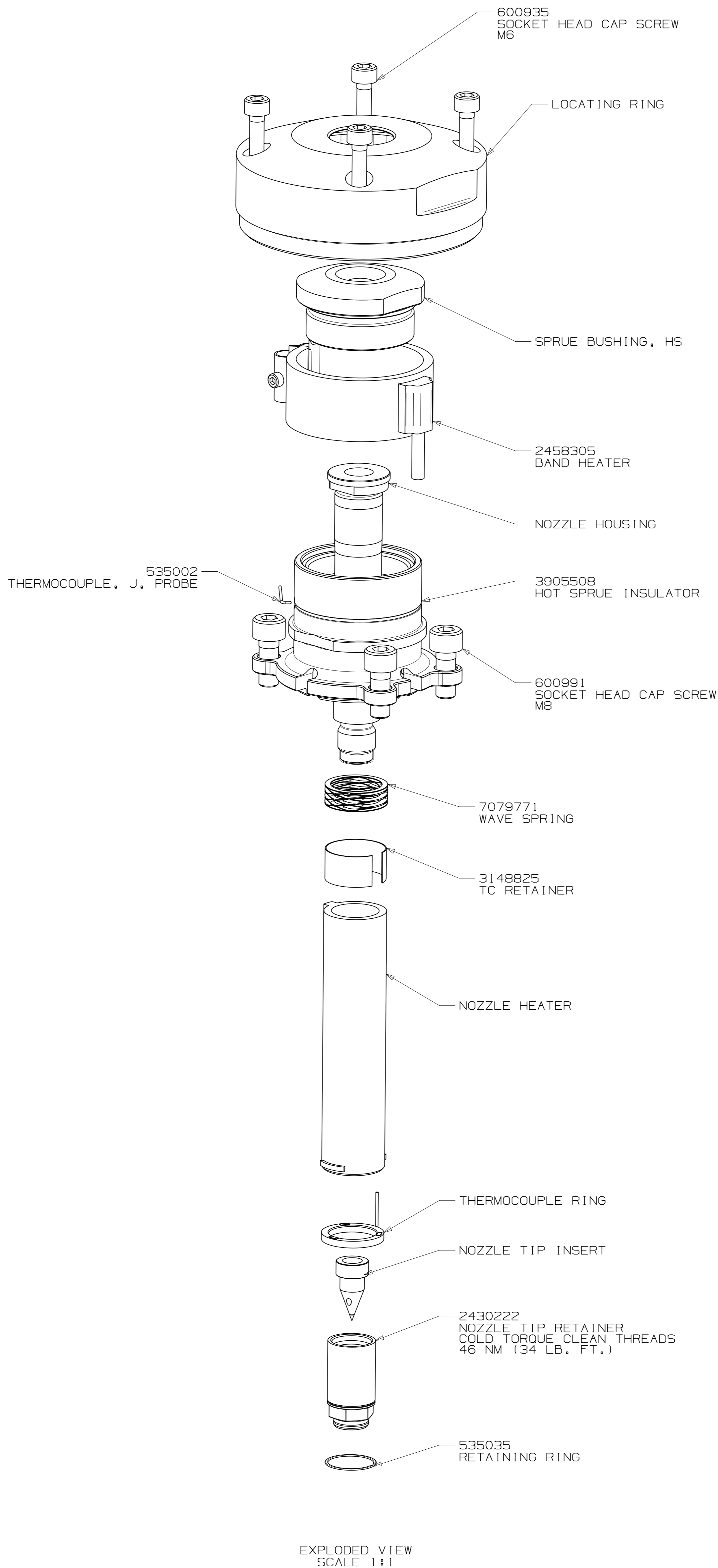
REV	DATE	DESCRIPTION	DRWNG	CHKD
5	2020-05-26	TABLE UPDATED PER LATEST CALCULATION	DRWNG DEEBAN N T	CHKD
4	2019-07-09	TEMPLATE VALUES UPDATED AS PER SOL 2.0	DRWNG MURALIDHARAN	CHKD
3	2019-02-05	SINGLE CAVITY NAMEPLATE REMOVED	DRWNG ARJUN	CHKD
2	2018-05-20	DRAWING NAME CHANGED	DRWNG ANUSHAL	CHKD
0	2017-09-06	ORIGINAL ISSUE - DESIGNED BY: DHANANLEYAN	DRWNG DHANANLEYAN	CHKD: PICHLER KLAUS

GENERAL TOLERANCES	METRIC	IMPERIAL
BROKEN EDGES/CHAMFERS	1 ±0.2 X 45°	0.04 ±0.01 X 45°
FILLET/ROUNDS	R0.8 ±0.2	R0.03 ±0.01
SURFACE FINISH	1.6	3.2

FOR TORQUE SPECIFICATIONS, REFER TO HS 252		METRIC		HUSKY	
WEIGHT	- kg	SCALE	NO	SIZE	DRWNG
		SCALE	NO	SIZE	DRWNG
		SCALE	NO	SIZE	DRWNG
		SCALE	NO	SIZE	DRWNG

ASSEMBLY DRAWING

REV 0
DRAWING 7930972



UNLESS OTHERWISE SPECIFIED
TORQUE TO HUSKY SPECIFICATION
HS 252

PRELOAD CLASS HGT-80

SIZE	Nm	lb-ft
#8	5	4
#10	7	5
1/4	16	12
5/16	35	25
3/8	60	45
7/16	95	70
1/2	150	110
5/8	290	210
3/4	500	360
7/8	790	580
1	1180	865
M4	4.6	3.4
M5	9.5	7.1
M6	16	12
M8	39	29
M10	77	57
M12	135	100
M14	215	160
M16	330	245
M20	650	480
M24	1100	810

ELECTRICAL INFO (240 VAC)

ZONE	ZONE DESCRIPTION
1	SPRUE BODY
2	NOZZLE TIP

T/C LEADS:
WHITE = (+)
RED = (-)

RECOMMENDED GATE COOLING GUIDELINES
ADEQUATE COOLING IS ESSENTIAL FOR THE PROPER FUNCTION OF THIS SYSTEM. REFER TO THE HOT RUNNER PRODUCT GUIDE FOR MORE DETAILED GUIDELINES.
www.husky.cc

RECOMMENDED GATE MATERIAL
NOTE: THESE MATERIALS MAY NOT OFFER THE DESIRED RESISTANCE TO ABRASIVE AND/OR CORROSIVE RESINS, FILLERS AND/OR ADDITIVES
AISI H13 (49-51 Rc)
AISI 420 (49-51 Rc)

RECOMMENDED GATE MANUFACTURING GUIDELINES

- HARDENED GATE INSERTS (49-51) ARE RECOMMENDED WHEN USING SOFTER CAVITY STEELS. SOFTER CAVITIES MAY BE ACCEPTABLE FOR CERTAIN APPLICATIONS. CONTACT YOUR HUSKY REPRESENTATIVE WITH QUESTIONS.
- EDM'ING THE GATE AREA CAUSES MICRO CRACKS WHICH LEAD TO BRITTLE GATE FAILURES. ALSO - DO NOT EDM THE MOLDING SURFACE WITHIN 2mm OF THE GATE HOLE.
- MACHINE THE GATE HOLE AFTER HARDENING TO AVOID EXCESSIVE QUENCH IN THE THIN SECTION DURING HEAT TREAT & RESULTING OVERHARDENING IN THE GATE AREA.
- RECESSED GATES ON THE PRODUCT REDUCE THE GATE AREA STRENGTH LEADING TO GATE FAILURES.
- WELDING THE GATE AREA INCREASES STRESSES AT THE GATE, SOFTENS THE AREA AROUND THE WELD AND CAN CAUSE GATE FAILURES.

REV	DATE	DESCRIPTION	NAME
5	2020-05-26	TABLE UPDATED PER LATEST CALCULATION	DRWN: DEEBAN N T CHKD:
4	2019-07-09	TEMPLATE VALUES UPDATED AS PER SCL 2.0	DRWN: MURALIDHARAN CHKD:
3	2019-02-05	SINGLE CAVITY NAMEPLATE REMOVED	DRWN: ARUN CHKD:
2	2018-06-20	DRAWING NAME CHANGED	DRWN: ANUSHAL CHKD:
0	2017-09-06	ORIGINAL ISSUE - DESIGNED BY: DHANANJEYAN	DRWN: DHANANJEYAN CHKD: PICHLER KLAUS

FOR TORQUE SPECIFICATIONS, REFER TO HS 252		METRIC		HUSKY	
		THIS DRAWING AND INFORMATION CONTAINED WITHIN IS CONFIDENTIAL AND/OR PROPRIETARY TO HUSKY INJECTION MOLDING SYSTEMS LTD. OR ONE OF ITS SUBSIDIARIES. IT IS NOT TO BE COPIED, DISCLOSED OR USED, IN WHOLE OR IN PART, WITHOUT THE PRIOR WRITTEN CONSENT OF HUSKY.		TITLE HOT SPRUE U750-HT-D	
WEIGHT	- kg	SCALE	NONE	SIZE	AIR
		SHEET	2 OF 2	DRAWING	7930972
				REV	0